



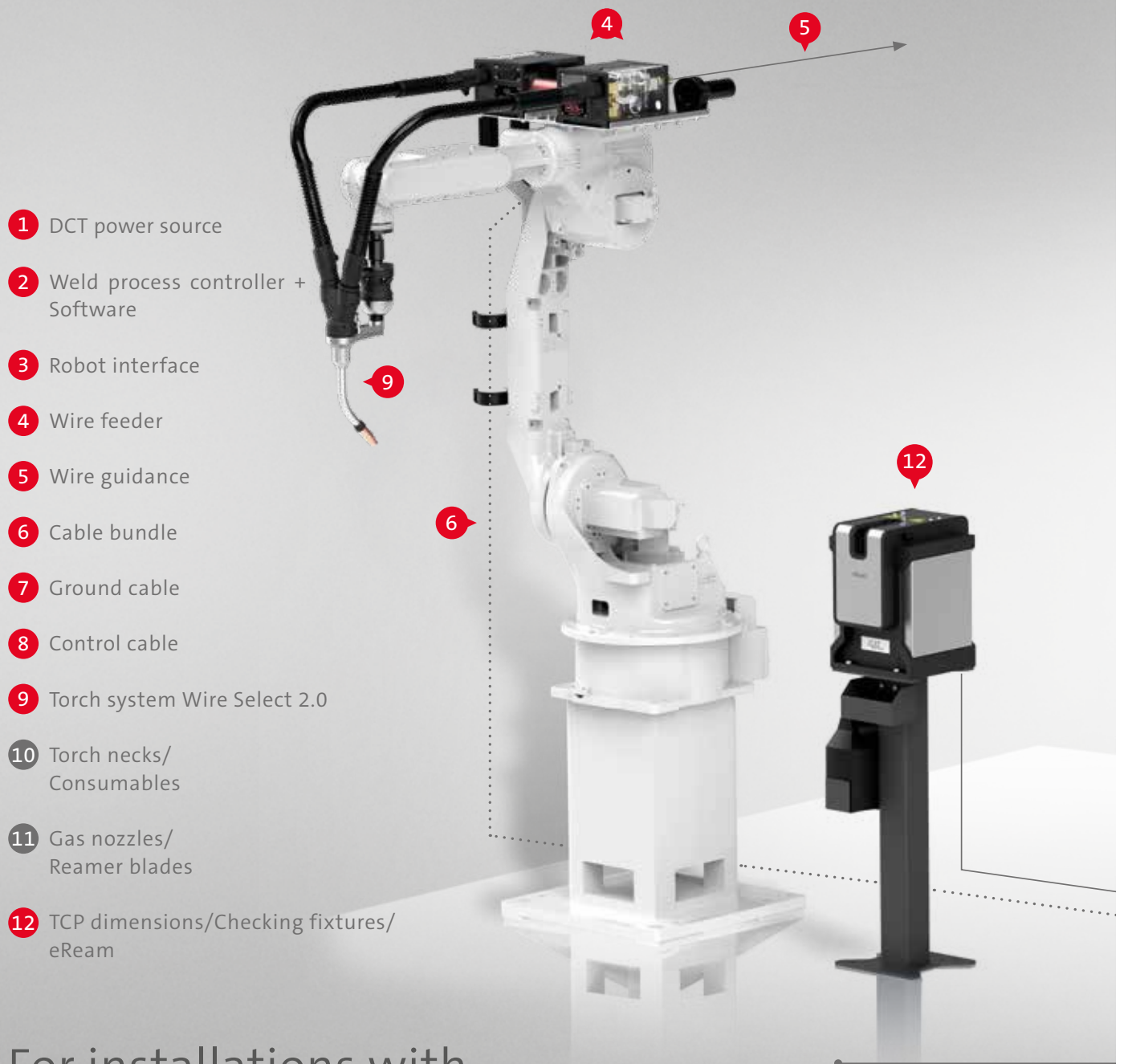
WELD PACKAGE WIRE SELECT 2.0

For automated wire change

Solutions for: ABB • FANUC • KUKA • YASKAWA/MOTOMAN

Wire Select 2.0 Weld Package: DCT power source • Weld process controller •
Robot interface • Wire feeder • Wire Guidance • Cable bundle • Control cable •
Torch system • Torch necks • Consumables

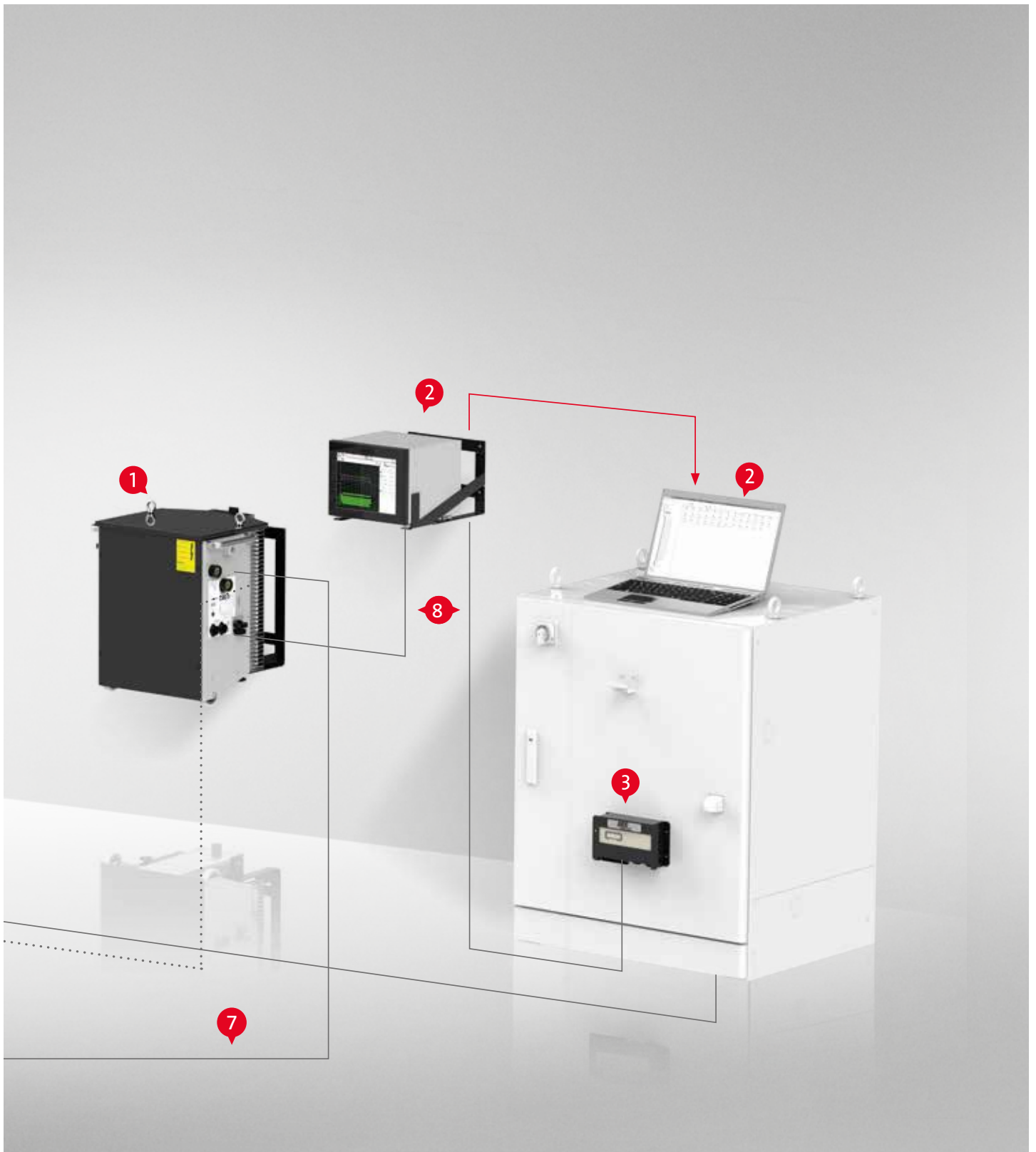
SKS Weld Package: System design



For installations with
outer cable dress.

This brochure contains information about the SKS Weld Package, the torch system **Wire Select 2.0**, as well as consumables and spare parts. There are various features of the welding machine components and torch systems available depending on the robot system and the welding task.

The **Wire Select 2.0 Weld Package** can be used with common industrial robots, such as **ABB, FANUC, KUKA** and **YASKAWA/MOTOMAN**.



The complete SKS Wire Select 2.0 Weld Package is designed for the following welding processes, materials and power range:

Processes: MIG/MAG (GMAW), Pulse, MIG Brazing

Wire materials: High-alloy steels, low-alloy steels, copper alloys, nickel-based materials

Wire diameter: 0.8 - 1.6 mm

Max. power: 420 A – 60% duty cycle/40 °C, air-cooled



1 Power source



Power source LSQ5



Power source LSQ3



Accessories: Wall mount for LSQ5

Space-saving design that makes for easy cleaning/maintenance.

LSQ5 power source with Direct Control Technology DCT

The LSQ5 ensures the optimum arc energy. It uniquely adjusts to different weld processes. Unlike conventional power sources with inverter technology, the LSQ5 with Direct Control Technology controls its switching transistors without any fixed clock frequency according to the needs of the weld process. Without any delay, the energy needed for the process is provided instantly. The flexible fine tuning is done by a central processor. The CPU continuously analyzes the weld process and current/voltage values on the basis of data obtained and optimally drives the switching transistors of the power section. This results in an extremely high efficiency and a low temperature development.

The power source can be configured with only two buttons and four LED indicators. For world-wide usage, voltages can be configured without opening the power source.

LSQ3 power source with Direct Control Technology (DCT)

The LSQ3 offers enough power reserves for special weld tasks like chassis and exhaust parts and other thin sheet metal applications.

LSQ3: 340 A at 60 % duty cycle/40°C, 3 x 400 V

LSQ3A: 340 A at 60 % duty cycle/40°C, 3 x 480 V

Overview of power sources

DESCRIPTION	PART-NO.
LSQ5	77-1185-00
LSQ3	77-1184-00
LSQ3A	77-1184-10
LSQ5-CCC	77-1185-60
LSQ3-CCC	77-1184-40

The main benefits are:

- DCT provides a speed regulation up to ten times higher compared to conventional inverter technology. This leads to excellent control behavior and shorter response times.
- The weld properties are substantially improved. Software replaces hardware: Fewer components also increase the reliability in continuous operation.

Specifications:

DESCRIPTION	LSQ5(-CCC)	LSQ3(-CCC)	LSQ3A
Performance	420 A - 60% duty cycle/40 °C (400 A)	340 A - 60% duty cycle/40 °C	340 A - 60% duty cycle/40 °C
Processes	MIG/MAG (GMWA), Pulse, MIG Brazing		
Weight	49 kg	37 kg	37 kg
Primary voltage	3 x 400 (480)V	3 x 400V	3 x 480V
Wall mounting	Yes (optional)	Yes (integrated)	Yes (integrated)
Conformities	CE, CSA, UL (CCC)	CE (CCC)	CE
Dimensions	450 x 400 x 540 mm	450 x 330 x 540 mm	450 x 330 x 540 mm

Wall mount

DESCRIPTION	PART-NO.
Wall mount for LSQ5	77-1180-01
Wall mount for LSQ3	integrated
Wall mount for LSQ3A	integrated

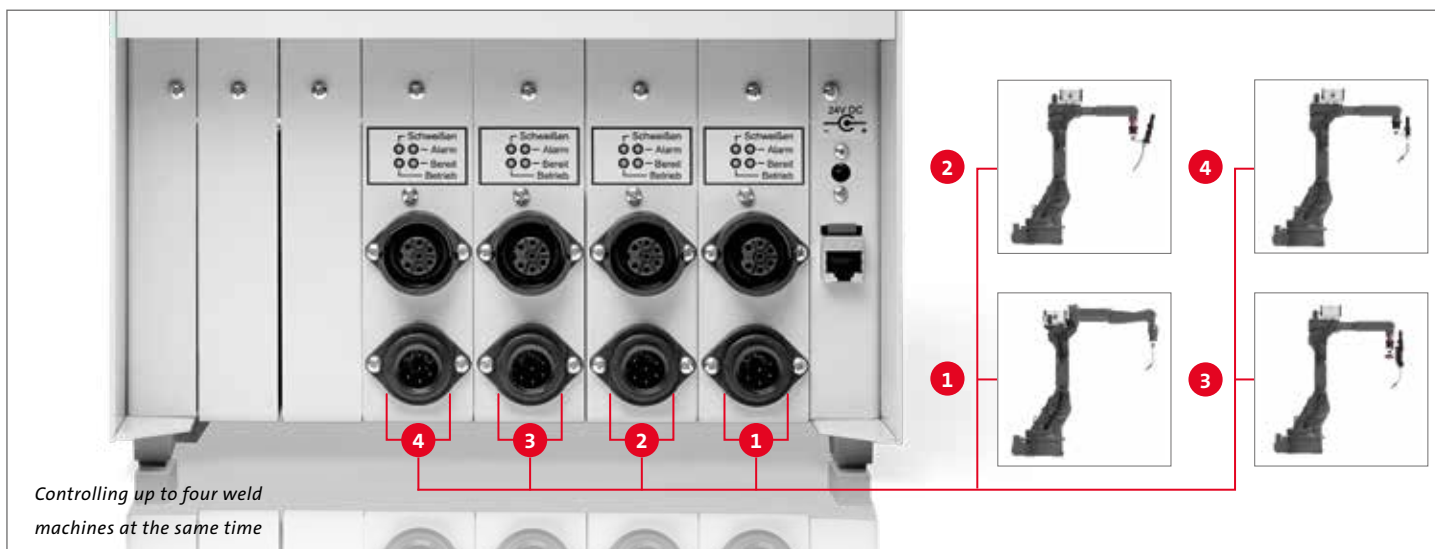
2 Weld process controller

Innovative Control Concepts with Touch Screen.

With the new Q84r and the compact Q84s up to four weld machines can be controlled centrally.



The new Q84r and Q84s are equipped with a touch screen, an innovative usability concept and an advanced visualization technology for much easier operating. The user interfaces have the look and feel of the Q8Tool4 software. Individual weld process controllers are in card slots in the Q84r/s. This new weld process controller concept can host up to four weld process controller cards. Each card independently controls a weld machine. As an alternative to the Q84r/s weld process controllers, the Q80 has been developed to control a single weld machine.



2 Weld process controller



Weld process controller Q84r



Weld process controller Q84s



Weld process controller Q84s

Please note:

The Q84r/s can be equipped with up to four weld process controller cards.

Weld process controller Q84r/s

The universal weld process controllers Q84r and Q84s calculate the optimal parameters for each welding process. Only basic data such as material, wire type, wire feed speed and type of gas must be entered. The Q84r is equipped with a 10" touch screen, the space-saving Q84s with a 7" touch screen. For wall mounting the display of the Q84s can be rotated by an angle of 180°.

- Processes/features: MIG/MAG (GMAW), I-Pulse, U-Pulse, KF-Pulse, Synchroweld, RWDE, NWDE
- Programs: 992 (x4)
- General functions: Display and saving of readings, alarms
- Monitoring functions: Weld current monitoring, auto compensation, arc and ignition monitoring, motor current, gas and water monitoring
- Easy to network via Ethernet: Traceability
- Ports: RJ45-Ethernet, SPW-Bus, SD card slot
- Remote Control/Administration: Q8Tool, VNC client

Overview weld process controller

DESCRIPTION	PART-NO. (Q84s)	PART-NO. (Q84r)
Q84r/s with one weld card	77-7410-00	77-7310-00
Q84r/s with two weld cards	77-7420-00	77-7320-00
Q84r/s with three weld cards	77-7430-00	77-7330-00
Q84r/s with four weld cards	77-7440-00	77-7340-00

Overview Q84r/s mounting kits

DESCRIPTION	PART-NO.
Bracket for Q84r for mounting onto power source LSQ5	77-7240-01
Bracket for Q84s for mounting onto power source LSQ5	77-7240-06
Bracket for Q84r for wall mounting	77-7240-02
Bracket for Q84r mounting in the robot cabinet	77-7240-05

Overview Q84r/s replacement parts and accessories

DESCRIPTION	PART-NO.
Touchpen for Q80 / Q84r/s weld process controller (replacement part)	77-7240-03
Connection cable for Q84r/s 5m with open end for external power supply (option)	77-3305-00
Plug for external power supply of Q84r/s (replacement part)	77-7240-96
SD card Q80 / Q84r/s weld process controller (replacement part)	91-8-6
USB adapter for SD cards for Q80 / Q84r/s weld process controller	91-8-1

ALTERNATIVE



Weld process controller Q80 front view



Weld process controller Q80 back view

Weld process controller Q80

The Q80 is the alternative to the Q84r/s. It has the same functionality/features as a single weld card of the Q84r/s - optimized for a single weld machine. With the universal Q80 all parameters and values needed for the weld task can be optimally calculated.

- Processes/features/general functions see Q84r/s
- Easy to network via Ethernet: up to traceability
- Ports: RJ45-Ethernet, SPW-Bus, SD card slot
- Wall mounting capability
- Remote Control / Administration: Q8Tool

Overview weld process controller

DESCRIPTION	PART-NO.
Q80	77-7260-00

Overview Q80 mounting kits

DESCRIPTION	PART-NO.
Bracket for mounting onto power source LSQ5	77-7240-06

Overview Q80 replacement parts and accessories

DESCRIPTION	PART-NO.
Touchpen for Q80 / Q84r/s weld process controller (replacement part)	77-7240-03
SD card Q80 / Q84r/s weld process controller (replacement part)	91-8-6
USB adapter for SD cards for Q80 / Q84r/s weld process controller	91-8-1

2 Weld process controller

ALTERNATIVE



Weld process controller Q6pw



Weld process controller Q4

Weld process controller Q4 as integrated solution into the power source

Weld process controller Q6pw and Q4

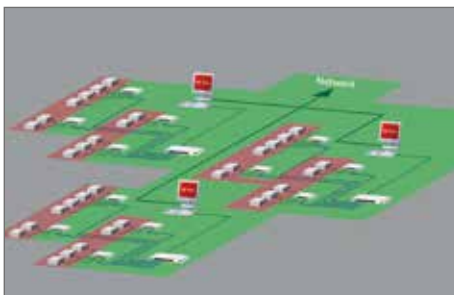
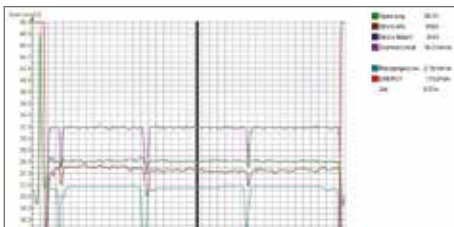
The perfect solution for local administration – the weld process controllers Q6pw and Q4 provide all basic functions of the Q80. The controllers can be administrated over the USB port with the Q8TOOL4 software. As a small and compact solution for the cost-optimized application, the Q4 is integrated into the power sources LSQ3 or LSQ5.

- Processes/features: MIG/MAG (GMAW), I-Pulse, U-Pulse, KF-Pulse
- Programs: 186
- General functions: Display and saving of readings, alarms
- Monitoring functions: Weld current monitoring, auto compensation, arc and ignition monitoring, motor current, gas and water monitoring
- Ports: RS232 (Q6pw only), SPW-Bus (Q6pw only), USB

Overview weld process controller

DESCRIPTION	PART-NO.	Please note:
Q6pw	77-7230-00	The Q4 weld process controller is integrated into the front of the power source and is delivered with the power source.
Q4/LSQ5	77-1185-20	
Q4/LSQ3	77-1184-20	
Q4/LSQ3A	77-1184-30	
Q4/LSQ5-CCC	77-1185-21	
Q4/LSQ3-CCC	77-1184-21	

2a Software/IT



Q8Tool software

The Q8Tool software provides accurate and comprehensive process monitoring. The user can store weld parameters for documentation on a PC and/or administrate them. It offers basic functions such as reading, modifying and documenting of weld parameters. Additionally, new weld parameters can be created and transferred to the universal weld process controllers. The weld data is portable and the installation of further control units on new equipment is easy. Also, the software allows reading and exporting of measurements and alarms. Graphical and numerical recording of measures helps defining and optimizing parameters for new parts. Users have a powerful tool for analyzing and documenting their weld results.

Network

The weld process controller units can easily be networked via Ethernet ports: Time savings through centralized administration of all controllers within the corporate network. There is a central backup of all welding parameters, management of user rights and access, process monitoring up to traceability. The Q8Tool software is provided free of charge with the weld process controller. No additional hardware or software is required.

3 Robot interface

Perfect integration.

Interfacing all industrial robot types.



With the universal interface solution, weld process controllers can be connected with all industrial robot types. Users basically have two options for connecting robots with weld process controllers: The connection can be realized with the interface or by integrating into a given field bus environment with a field bus solution.

Standard application

Robot controllers or overall system controllers (e.g. PLC) use digital or analog signals to communicate with the weld process controller. The interface UNI 5 translates these signals for the welding machine. With just one interface, a variety of digital encodings and analog levels can be processed. The interface UNI 5 comes with a preconfigured connection kit for easy installation.

Field bus application

Field bus systems exchange signals via serial communication. The field bus master, usually the robot controller or overall system controller, bundles and processes the signals of the connected field bus, including the welding machine. Standard field bus systems are e.g., Interbus-S, Profibus DP or DeviceNet. The field bus interface FB5 translates the field bus signals for the welding machine using a standardized protocol. It makes no difference which type of field bus system is used. The signals are always at the same place on the field bus. This makes the preparation of the robot or system controller much easier.

3 Robot interface



Robot interface UNI 5

The interface connects the welding equipment with all industrial robot types. With its high degree of standardization, the UNI 5 is the perfect choice for connecting the weld process controller (e.g. Q80) with an industrial robot. The UNI 5 comes preprogrammed and configured for different robot types. Configuration to a particular robot type is handled easily by programming the interface with two buttons for the given robot type.

Overview of robot interfaces

DESCRIPTION	PART-NO.
For robot type-ABB	
UNI 5A for IRC5	77-8011-08
For robot type-FANUC	
UNI 5A for RJ3iC	77-8001-84
For robot type-KUKA	
UNI 5A for KR C2	77-8011-08
For robot type-YASKAWA/MOTOMAN	
UNI 5C (Synchroweld over RS232) for NX 100 / DX 100 / DX 200	77-8013-00

ALTERNATIVE



Field bus application

Various field bus types are supported (e.g. Profibus DP, DeviceNet). The field bus interface has drilled bore holes for flexible mounting within the weld cell. Two additional mounting kits provide easy installation at the power source or into the cabinet. Additionally, external power can be connected to the interface. More details on solutions for the specific field bus types are available on request.

Overview FB5 interfaces

DESCRIPTION	PART-NO.
Interbus-S (copper line)	77-3-1
Profibus DP	77-3-2
DeviceNet	77-3-3
EtherCAT	77-3-4
Profinet IRT (copper line)	77-3-5
Profinet IRT (LWL 2 ports)	77-3-6
Interbus-S (LWL FSMA)	77-3-7
Ethernet/IP	77-3-8

Cabinet mounting

DESCRIPTION	PART-NO.
Mounting kit for cabinet	77-1182-02
Control cable with bracket	77-3102-02

Power source mounting

DESCRIPTION	PART-NO.
Mounting kit for power source	77-1182-03

Optional power supply (24V)

DESCRIPTION	PART-NO.
Connection cable 2.0 m (with open end)	77-1182-04

OPTION

SYNCHROWELD

Synchroweld unites the weld system and robot by a communication protocol (RWDE). This technology allows the weld system to get the actual robot speed and automatically adjusts the weld parameters accordingly. The result is a constant energy per unit length. At the same time, the programming effort can be significantly reduced.

Please note:

Further information on Synchroweld with ABB, Fanuc, KUKA, Yaskawa/Motoman can be found in our Synchroweld brochure.

4 Wire feeder

Strong, lightweight and precise.

The PF5 wire feeder.



Smaller and with less weight accompanied by improved efficiency over conventional wire feeders the PF5 goes along with the steady development of arc welding robots.



ALTERNATIVE



PF5 L/R with integrated gas flow sensor



Power Feeder PF5

Modern motor, gear and control technology provide a strong performance and highest possible precision. The robust plastic housing is electrically insulated. As a "lightweight" the PF5 is the perfect choice for the new generation of robots with inner cable dress.

The industrial proven Power Feeder PF5 is available with an additional monitoring functionality: an integrated gas-flow sensor. The weld process controller displays the gas flow values, and can also be triggered to an alarm, in case of a non-defined gas flow rate.

Overview PF5

DESCRIPTION	PART-NO.
PF5 L	10-2-8
PF5 R	10-2-4
PF5 L with integrated gas flow sensor	10-2-108
PF5 R with integrated gas flow sensor	10-2-104

Technical data

Weight	3,8 kg
Motor	70W
Wire feeding speed	2,5 - 25 m/min
Roll diameter	0.8 - 1.6 mm

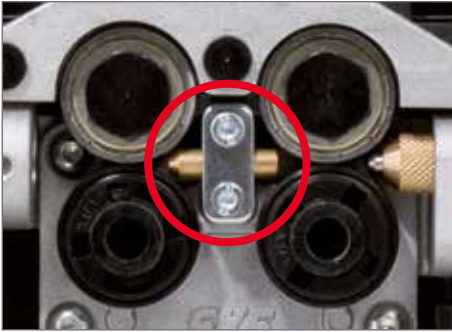
Shielding Gas Saver

The benefit of the shielding gas saver is its pre-regulated working pressure of 1.2 bar / 17 psi (common 4.5 bar / 65 psi). Therefore the ram pressure is reduced, i.e. there are key benefits of the shielding gas saver at ignition of the welding torch and an improved gas saving. The shielding gas saver ensures a constant gas flow during the welding task.

Shielding Gas Saver

DESCRIPTION	PART-NO.
Shielding Gas Saver	93-62-5

4 Wire feeder



Center guides

For steel wire

Overview of center guides

DESCRIPTION	PART-NO.
Wire- \varnothing 0.8 - 1.6 mm for steel wire	12-2-1-15



Please note:

Four drive rolls are needed per system.



Please note:

Four pressure rolls and four locating bolts are needed per system.

Drive roll for wire feeder

For wire diameters 0.8-1.6 mm

Overview of four roller drive rolls

DESCRIPTION	PART-NO.
Wire- \varnothing 0.8 mm, V-groove	12-2-3-08
Wire- \varnothing 0.9 mm, V-groove	12-2-3-09
Wire- \varnothing 1.0 mm, V-groove	12-2-3-10
Wire- \varnothing 1.2 mm, V-groove	12-2-3-12
Wire- \varnothing 1.4 mm, V-groove	12-2-3-14
Wire- \varnothing 1.6 mm, V-groove	12-2-3-16

Pressure roll

Pressure roll for wire feeder

Pressure roll

DESCRIPTION	PART-NO.
Pressure roll	12-2-3-0
Locating bolt for pressure roll	12-13-5

4 Wire feeder



Please note:

In a single Wire Select 2.0 torch system, two wire feeders, two center guides and two wire inlet bodies are needed. Additionally, four drive rolls, four pressure rolls and four locating bolts are required.

Please note:

Wire feeder brackets for further robot types are available on request.

Wire feeder brackets

Wire feeder bracket for PF5 with holes and screws for installation

Overview of wire feeder brackets

DESCRIPTION	PART-NO.
For robot type-ABB	
IRB 2400/10	on request
IRB 2400/16	on request
IRB 2600	on request

For robot type-FANUC

M-10iA/7L (high inertia mode)	on request
M-10iA/8L (high inertia mode)	on request
M-10iA/12 (high inertia mode)	14-1-17
M-10iA/12S (high inertia mode)	on request

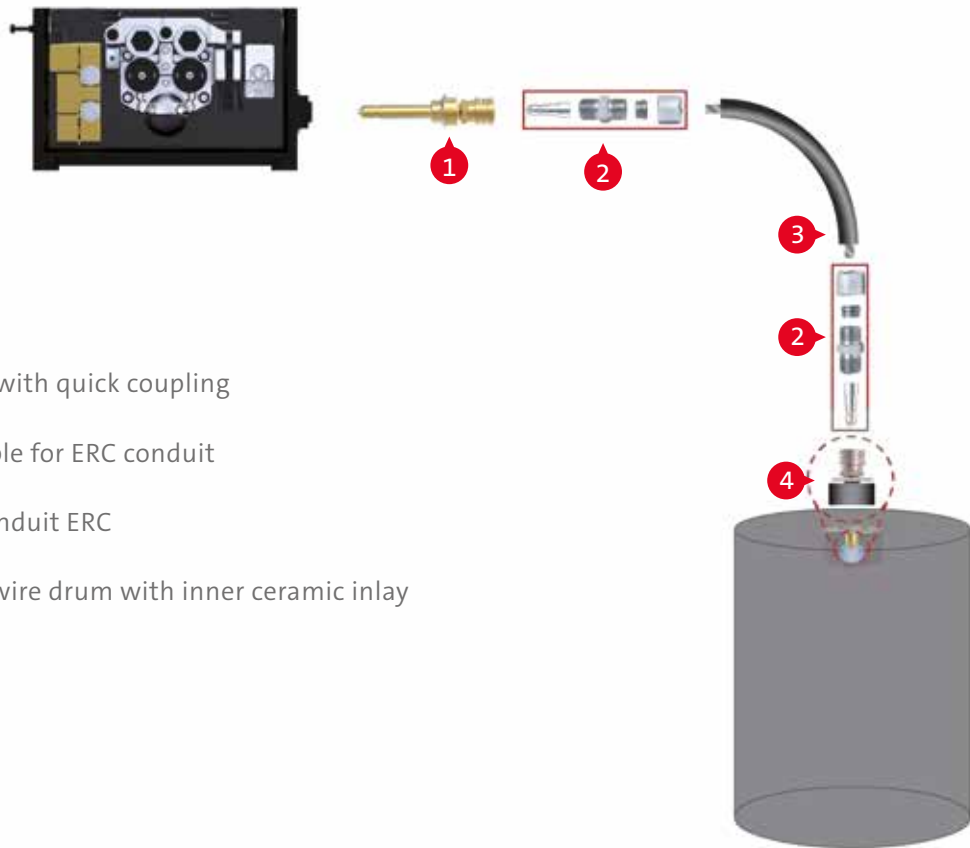
For robot type-KUKA

KR8 R1620	on request
KR8 R2010	on request
KR10 R1420	on request

For robot type-YASKAWA/MOTOMAN

HP 20F	14-1-17
MH 12	14-1-28
MH 24	14-1-27

5 Wire guidance ERC for steel and stainless steel wire materials



- 1 Wire inlet body with quick coupling
- 2 Connection nipple for ERC conduit
- 3 Polymer wire conduit ERC
- 4 Connection for wire drum with inner ceramic inlay

With the ERC wire guidance for steel/stainless steel, the high efficiency of the whole system extends up to the drum.

Advantages

- Very good inherent stability due to thick polyethylene insulating jacket
- Good sliding properties
- Reduced wear by using flat wire for monocoil core
- Suitable for steel and stainless steel wires

Wire guidance ERC

DESCRIPTION	PART-NO.
Wire inlet body with quick coupling	10-2-0-61
Connection nipple for ERC conduit	44-70-2
Polymer wire conduit ERC / per meter	44-70-1
Drum connector with ceramic inlay	44-40-1

OPTION

DESCRIPTION	PART-NO.
Strain Relief for wire guidance	14-10-6
Strain Relief spring for wire guidance	44-70-3

Please note:

Two connection nipples are necessary.

ALTERNATIVE



Wire inlet bodies for additional systems

Beside the wire inlet body for the SKS wire guidance, inlet bodies for additional systems are available.

Overview of wire inlet bodies for additional systems

DESCRIPTION	PART-NO.
M10 with internal thread for ESAB	10-2-0-50
with 9.6 mm bore hole	10-2-0-52
with 13 mm bore hole	10-2-0-53
with PG9 thread	10-2-0-56
with 1/4" internal thread	10-2-0-60

Aluminum inlets for wire inlet bodies

DESCRIPTION	PART-NO.
for types 50/52/53/54/59/60/61	10-2-0-57-3
for types 51/55/56	10-2-0-58-3

6 Cable bundles



Cable bundles: Power source to wire feeder PF5

Coaxial power cable 72 mm² with internal gas flow, control cable L700, disconnect cable, corrugated tube and cable holder. Air-cooled version.

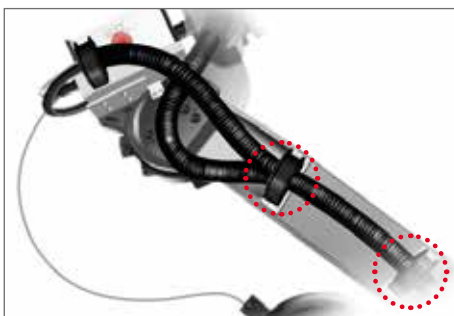
Overview of cable bundles

Length	PART-NO.
5 m	20-4-5
7 m	20-4-7
10 m	20-4-10

Please note:

Two cable bundles are needed for a single system.
Further lengths available on request.

6a Cable bundles: Clamping set



Mounting cable bundle: Clamping set

Provides perfect installation of the cable bundles for all different robot types. Undesired cable movements are prevented. This results in higher lifetime.

Overview of cable bundle clamping sets

DESCRIPTION	PART-NO.
For robot type-ABB	
IRB 2400/10	on request
IRB 2400/16	on request
IRB 2600	on request

For robot type-FANUC

M-10iA/7L (high inertia mode)	on request
M-10iA/8L (high inertia mode)	on request
M-10iA/12 (high inertia mode)	on request
M-10iA/12S (high inertia mode)	on request

DESCRIPTION	PART-NO.
For robot type-KUKA	
KR8 R1620	on request
KR8 R2010	on request
KR10 R1420	on request

For robot type-YASKAWA/MOTOMAN

HP 20F	91-3-0-51-2
MH 12	91-3-0-51-7
MH 24	91-3-0-51-7

Please note:

Clamping sets for further robot types are available on request.

ALTERNATIVE

DESCRIPTION	PART-NO.
Mounting for WF-bracket for external guided cable bundle	14-10-10

Dividable cable bundles

ALTERNATIVE

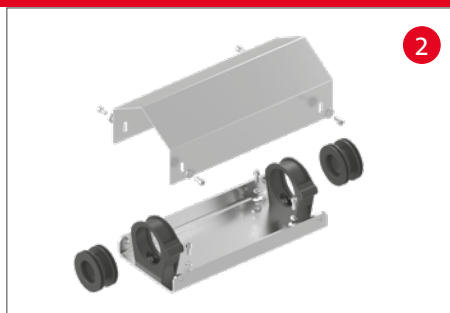


PARTS OF THE DIVIDABLE CABLE BUNDLE



Connection from power source to connection bracket

LENGTH	PART-NO.
5 m	20-7-5
7 m	20-7-7
10 m	20-7-10



Connection bracket

DESCRIPTION	PART-NO.
Connection bracket	20-6-0-3



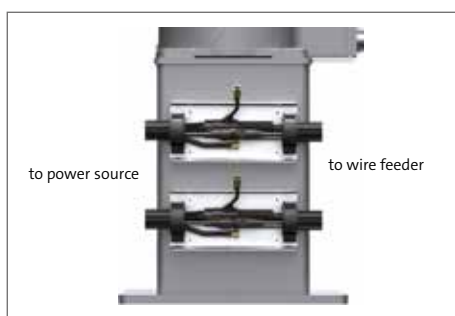
Connection from connection bracket to wire feeder PF5

LENGTH	PART-NO.
3 m	20-6-3
5 m	20-6-5
7 m	20-6-7

Please note:

Further lengths available on request.

A single system requires two cable bundles power source/connection bracket, two connection brackets, and two cable bundles connection bracket/wire feeder.



Cable bundle with separation between power source and wire feeder PF5

The moving parts of the cable bundles (next to the robot) are separated from the non-moving parts (power source). In case of maintenance work, only the moving parts have to be changed. The quick and easy replacement concept results in time and cost savings.



Branch socket

This Y-adaptor connects two cable bundles to the power source.

DESCRIPTION	PART-NO.
Branch socket	70/95-KAB

7 Ground cable



Please note:

Further lengths available on request.

Ground cable with 70 mm² connector and cable plug

Cables with larger diameters are available on request

Overview of ground cables

LENGTH	PART-NO.
6 m	228078106
10 m	228078100

8 Control cable



Please note:

For the Power Joint system four control cables are needed. One control cable is already included in the cable bundle.

Please note:

Further lengths available on request.

Control cable: L700/SPW-bus

Standard control cable to connect the components:
Weld process controller, power source, robot interface, wire feeder.

Overview of control cables

LENGTH	PART-NO.
0.5 m	541031050
1 m	541031001
2 m	541031002
3 m	541031003
5 m	541031005
7 m	541031007
10 m	541031000
12 m	541031012
15 m	541031015

PLUG & PLAY: CONTROL CABLE L700

The advantages of a system concept are revealed by its details: One standard control cable (L700) connects all system components (power source, robot interface, weld process controller and wire feeder) within the welding system.

The system is expandable: Other components can be integrated at any time into an existing system. New devices are automatically detected.



POWER SOURCE



ROBOT INTERFACE



WELD PROCESS CONTROLLER



WIRE FEEDER

9 Torch system Wire Select 2.0

The new Flexibility.

Welding with two wires at one welding station with automated wire change.



The SKS Wire Select 2.0 System uses standard SKS components. With one power source, one control unit, one torch system, one wire cutter and two wire feeders two different welding materials can easily be used with a single torch system. Changing of wire is automated: the first wire is pulled back and the second wire is pushed forward – this, within a few seconds. Additionally to operational time and cost savings, this new wire changing concept has less investment costs.

The complete SKS Wire Select 2.0 Weld Package is designed for the following welding processes, materials and power range:



Processes: MIG/MAG (GMAW), Pulse, MIG Brazing

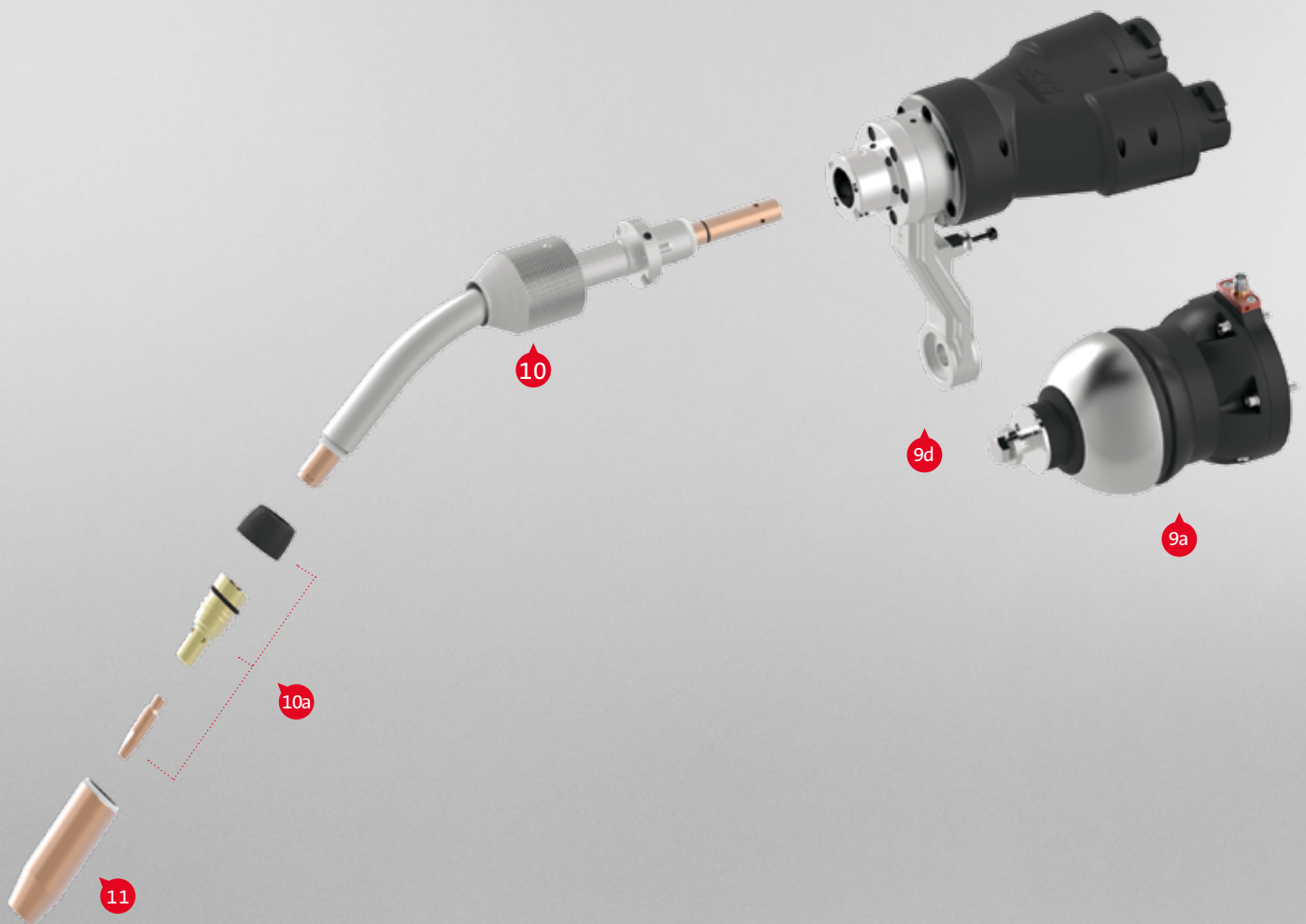
Wire materials: High-alloy steels, low-alloy steels, copper alloys, nickel-based materials

Wire diameter: 0.8-1.6 mm

Max. power: 420 A - 60 % duty cycle/40 °C, air-cooled

9 Torch system Wire Select 2.0: Parts overview

Wire Select 2.0 torch system parts overview



The Wire Select 2.0 torch system can be configured with different gas nozzles for standard applications or heavy duty applications.

9 Torch system Wire Select 2.0: Parts overview



9a Collision protection Power Clutch 9b TCP extension + robot flange

9c Torch cable with Power Pin connector 9d Torch mounting arm 10 Torch neck

10a Consumables 11 Gas nozzle

9a Torch system



Collision protection for welding robots with outer cable dress

The SKS collision protection is based on the Power Joint concept, continuing the modular structure of the SKS components. This ensures the same high precision TCP accuracy in the Wire Select 2.0 as found in SKS Power Joint systems.

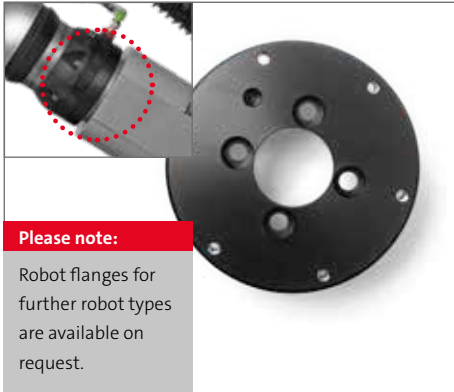
Power Clutch

DESCRIPTION	PART-NO.
Power Clutch 2	71-17

Technical details

Collision protection	deflection 10°
Reset accuracy	± 0.2 mm with TCP 400 mm
Weight	1.5 kg

9b Torch system: Installation



Please note:

Robot flanges for further robot types are available on request.

Wire Select 2.0 robot flange

With the robot flange the Wire Select 2.0 torch system is mounted simply and safely on the sixth robot axis.

Overview of robot flanges

DESCRIPTION	PART-NO.
For robot type-ABB	
IRB 2400/10	63-4-5
IRB 2400/16	63-4-5
IRB 2600	63-4-5
For robot type-FANUC	
M-10iA/7L (high inertia mode)	63-4-8
M-10iA/8L (high inertia mode)	63-4-8
M-10iA/12 (high inertia mode)	on request
M-10iA/12S (high inertia mode)	on request

DESCRIPTION	PART-NO.
For robot type-KUKA	
KR8 R1620	63-4-16
KR8 R2010	63-4-3
KR10 R1420	63-4-16
For robot type-YASKAWA/MOTOMAN	
HP 20F	63-4-1
MH 12 / MH 24	63-4-8



TCP-extension

The TCP-extension increases the freedom of accessibility and depth of immersion into the weld part/fixture.

Overview TCP-extension

DESCRIPTION	PART-NO.
100 mm	93-14

9c Torch system: Torch cable/Accessories



Please note:

Two liners are needed for a single system.

Liner for torch cable

For the following diameters and filler materials:

Steel, bronze (wire- ϕ 0.8 - 1.0 mm)

LENGTH	PART-NO.
2.0 m	44-22-0810-20
3.5 m	44-22-0810-35
Sleeve	44-30-2

Steel, bronze (wire- ϕ 1.2 - 1.6 mm)

LENGTH	PART-NO.
2.0 m	44-22-1216-20
3.5 m	44-22-1216-35
Sleeve	44-30-3

9c Torch system: Torch cable/Accessories



Please note:

Two cable bundles are needed for a single system.

Torch cable for Wire Select 2.0 torch system

Highly flexible coaxial cable 72 mm² including switch-off cable for the robot and air-blast tube.

Overview recommended torch cable lengths for robots

DESCRIPTION	PART-NO.
For robot type-ABB	
IRB 2400/10 (0.90 m)	61-5-09
IRB 2400/16 (0.90 m)	61-5-09
IRB 2600 (1.00 m)	61-5-10

For robot type-FANUC

M-10iA/7L (high inertia mode)	on request
M-10iA/8L (high inertia mode)	on request
M-10iA/12 (high inertia mode)	on request
M-10iA/12S (high inertia mode)	on request

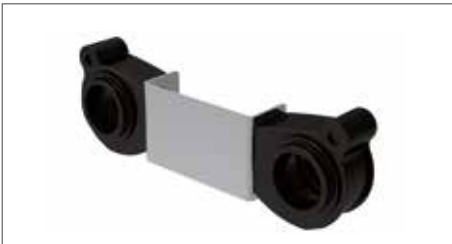
Overview torch cable lengths (complete)

LENGTH	PART-NO.
0.75 m	61-5-075
0.9 m	61-5-09
1.0 m	61-5-10
1.2 m	61-5-12

DESCRIPTION	PART-NO.
For robot type-KUKA	
KR8 R1620 (0.90 m)	61-5-09
KR8 R2010 (1.10 m)	61-5-11
KR10 R1420 (0.90 m)	61-5-09

For robot type-YASKAWA/MOTOMAN

HP 20F (1.00 m)	61-5-10
MH 12 (1.00 m)	61-5-10
MH 24 (1.00 m)	61-5-10



Y-Wire guidance

Wire guidance for defined guidance of both torch cables

Y-Wire guidance

DESCRIPTION	PART-NO.
Y-Wire guidance	91-3-0-90



Liner for torch neck

For the following diameters and filler materials:

Steel, bronze (wire- ϕ 0.8 - 1.0 mm)

DESCRIPTION	PART-NO.
Length 0.5 m	44-211-0810

Steel, bronze (wire- ϕ 1.2 - 1.6 mm)

DESCRIPTION	PART-NO.
Length 0.5 m	44-211-1216

9d Torch system: Torch mounting arm



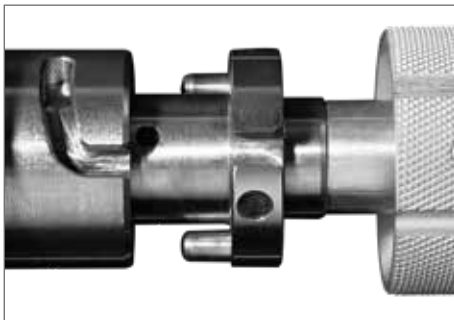
Wire Select 2.0: Torch mounting arm

Precise torch body with mounting arm, air blast connector and proven bayonet quick-change connectors for torch cable and torch neck

Torch mounting arm

DESCRIPTION	PART-NO.
Torch mounting arm	62-5-20

10 standard Torches: Torch necks/Accessories



Torch necks for Wire Select 2.0

With the innovative bayonet lock system, the SKS torch neck can be replaced quickly. This unique tool-free quick change system is also highly precise with TCP accuracy of ± 0.2 mm.

Overview torch necks			Application recommendations	
Type	PART-NO.	TCP length [mm]	angle [°]	Steel/CrNi
standard dressing air-cooled	58-1-00-400-1	561.5	0	✓
	58-1-22-350-1	511.5	22	✓
	58-1-22-400-1	561.5	22	✓
	58-4-330-500-1	600.0	30	○
	58-1-130-450-1	611.5	30	○
	58-1-35-400-1	561.5	35	✓
	58-1-45-350-1	511.5	45	✓
	58-1-45-400-1	561.5	45	✓
	58-1-45-450-1	611.5	45	✓
	58-4-345-450-1	550.0	45	✓✓
	58-4-345-567-1	667.0	45	✓
	Type	PART-NO.	TCP length [mm]	angle [°]
ZK	58-1-245-400-1	561,5	45	✓

- ✓✓ Recommended standard torch neck
- ✓ Recommended
- Special design: application specific
- ✗ Not recommended

INFO: TORCH NECK

SKS offers a special torch neck (up to 250 A ZK-HeavyDuty up to max. 300 A) for welding components with tight accessibility.

The special torch neck needs a smaller insulator (ZK) and a more compact gas nozzle (ZK). Standard Power Lock contact tips can be used.

TCP drawings can be found on the next to last page (torch necks).

Clamping cap for SKS single wire torch necks

Tool-free assembly with bayonet quick-change system

DESCRIPTION	PART-NO.
Clamping cap	71-3-25

Insulator for SKS torch necks

DESCRIPTION	PART-NO.
Standard	58-1-5
ZK type	43-6-4-2
ZK heavy duty type	43-6-4-3



10 HQX Torches: Torch necks/Accessories



HQX Torch necks for Wire Select 2.0

Overview torch necks				Application recommendations	
Type	PART-NO.	TCP length [mm]	angle [°]	Steel/CrNi	
HQX-dressing air-cooled	58-1-622-350-1	511.5	22	✓	
	58-1-622-400-1	561.5	22	✓	
	58-1-635-400-1	561.5	35	✓	
	58-1-645-350-1	511.5	45	✓	
	58-1-645-400-1	561.5	45	✓	
	58-4-6345-450-1	550.0	45	✓✓	
	58-4-6345-567-1	667.0	45	✓	

- ✓✓ Recommended standard torch neck
- ✓ Recommended
- Special design: application specific
- ✗ Not recommended



Insulator for SKS torch necks

Insulator	
DESCRIPTION	PART-NO.
HQX Insulator for single wire torch necks	58-1-14

10a Torches: Consumables



Power Lock: Retaining head

Retaining heads for heavy duty applications with thread for threaded gas nozzles for simple and safe installation

Overview of retaining heads	
DESCRIPTION	PART-NO.
High performance retaining head Power Lock standard	43-9-2
High performance retaining head Power Lock (ZK-Version)	43-8-6
High performance retaining head Power Lock Plus	43-16-2
High performance retaining head Power Lock Plus (ZK-Version)	43-24-1
High performance retaining head HQX Power Lock Plus	43-20-3



Power Lock: Contact tips

- Tapered design for high TCP reproducibility
- Improved heat transfer extends lifetime
- Improved power transition: constant arc quality

Wire-Ø	Steel applications		Stainless steel applications	
	Power Lock	Power Lock Plus	Power Lock	Power Lock Plus
0.8 mm	40-4-5-0.8E	40-6-5-0.8E	40-4-7-0.8S	40-6-7-0.8S
0.9 mm	40-4-5-0.9E	40-6-5-0.9E	40-4-7-0.9S	40-6-7-0.9S
1.0 mm	40-4-5-1.0E	40-6-5-1.0E	40-4-7-1.0S	40-6-7-1.0S
1.2 mm	40-4-5-1.2E	40-6-5-1.2E	40-4-7-1.2S	40-6-7-1.2S
1.4 mm	—	—	40-4-7-1.4S	40-6-7-1.4S
1.6 mm	—	—	40-4-7-1.6S	40-6-7-1.6S

Please note:

An overview of gas nozzles with dimensions can be found on the next pages.

10a Torches: Consumables



Please note:

An overview of gas nozzles with dimensions can be found on the next page.

Please note:

Further information can be found in our brochure "Consumables" (DOC-0135EN).

Gas nozzles with thread

Standard gas nozzles

13 mm bottle shaped	PART-NO.
short	41-19-13-BS
flush	41-19-13-BF
long	41-19-13-BR
13 mm tapered	PART-NO.
short	41-19-13-TS
flush	41-19-13-TF
long	41-19-13-TR
15 mm bottle shaped	PART-NO.
short	41-19-15-BS
flush	41-19-15-BF
long	41-19-15-BR
16 mm tapered	PART-NO.
short	41-19-16-TS
flush	41-19-16-TF
long	41-19-16-TR

Heavy Duty gas nozzles

13 mm	PART-NO.
flush, bottle shaped	41-20-13-BF
long, tapered	41-20-13-TR
16 mm tapered	PART-NO.
short	41-20-16-TS
flush	41-20-16-TF
long	41-20-16-TR

ZK type

13 mm bottle shaped	PART-NO.
short	41-21-13-BS
flush	41-21-13-BF
15 mm bottle shaped	PART-NO.
short	41-21-15-BS
flush	41-21-15-BF
13+15 mm Heavy Duty/tapered	PART-NO.
13 mm, flush	41-22-13-TF
15 mm, flush	41-22-15-TF



Gas nozzles with thread (HQX)

HQX gas nozzles

16 mm bottle shaped	PART-NO.
short	41-16-16-BS
16 mm tapered	PART-NO.
short	41-16-16-TS
flush	41-16-16-TF
long	41-16-16-TR



Tool for contact tips

For replacement of contact tips: Fast exchange of contact tip without removing the gas nozzle

contact tips

DESCRIPTION	PART-NO.
Mounting tool SW6 for contact tips (Power Lock)	51-9001-00
Mounting tool SW7 for contact tips (Power Lock Plus)	51-9002-00



Programming tips

Power Lock programming tips for precise seam programming

Overview of programming tips

Stickout	PART-NO.
12 mm (Power Lock)	65-6
15 mm (Power Lock)	65-7
20 mm (Power Lock)	65-8
12 mm (Power Lock Plus)	65-11
15 mm (Power Lock Plus)	65-12

11 Gas nozzles: Overview dimensions

13 mm bottle-shaped				13 mm tapered			13 mm Heavy Duty	
Gas nozzle PART-NO.	41-19-13-BS	41-19-13-BF	41-19-13-BR	41-19-13-TS	41-19-13-TF	41-19-13-TR	41-20-13-BF	41-20-13-TR
Reamer Blade:								
Power Lock								
(UNF 3/8" x 24) PART-NO.	66-13-S	66-13-F	66-13-R	66-13-S	66-13-F	66-13-R	66-13-F	66-13-R
(M10 x 1) eReam PART-NO.	67-13-S	67-13-F	67-13-R	67-13-S	67-13-F	67-13-R	67-13-F	67-13-R
Power Lock Plus								
(UNF 3/8" x 24) PART-NO.	68-13-S	68-13-F	68-13-R	68-13-S	68-13-F	68-13-R	68-13-F	68-13-R
(M10 x 1) eReam PART-NO.	69-13-S	69-13-F	69-13-R	69-13-S	69-13-F	69-13-R	69-13-F	69-13-R

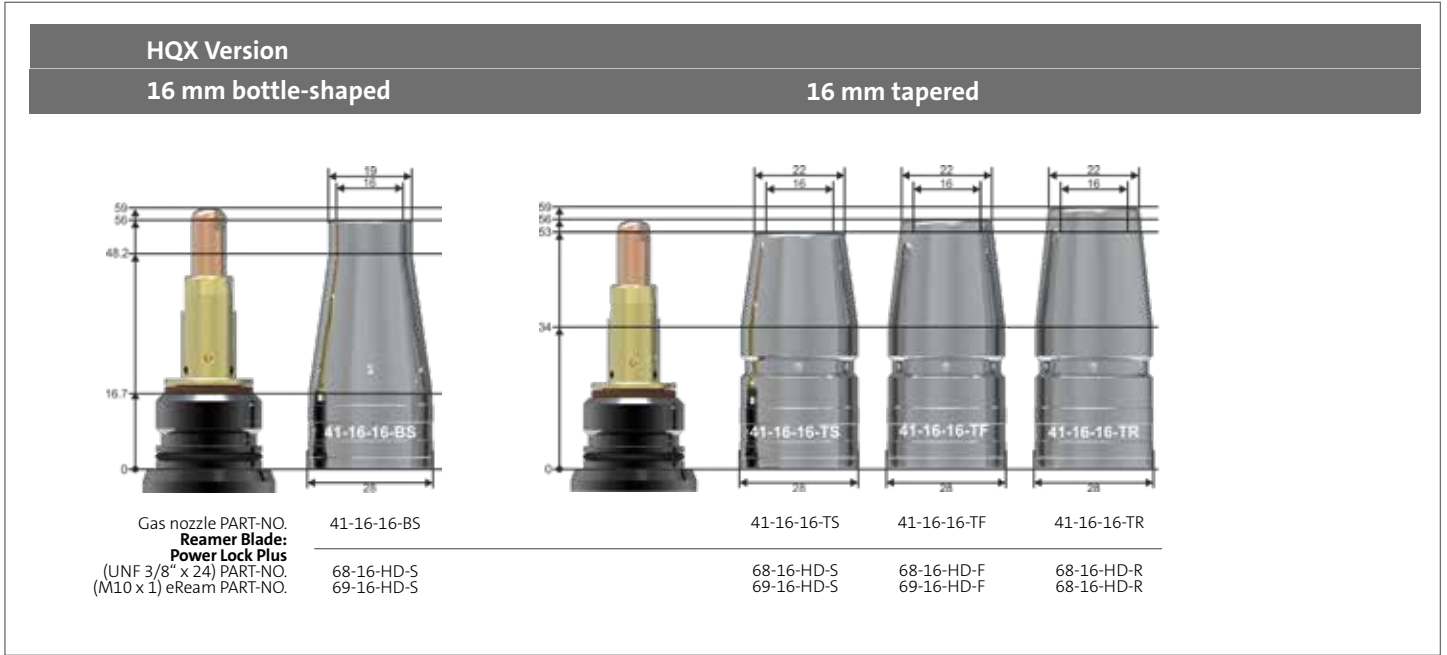
15 mm bottle-shaped				16 mm tapered			16 mm Heavy Duty		
Gas nozzle PART-NO.	41-19-15-BS	41-19-15-BF	41-19-15-BR	41-19-16-TS	41-19-16-TF	41-19-16-TR	41-20-16-TS	41-20-16-TF	41-20-16-TR
Reamer Blade:									
Power Lock									
(UNF 3/8" x 24) PART-NO.	66-15-S	66-15-F	66-15-R	66-16-S	66-16-F	66-16-R	66-16-S	66-16-F	66-16-R
(M10 x 1) eReam PART-NO.	67-15-S	67-15-F	67-15-R	67-16-S	67-16-F	67-16-R	67-16-S	67-16-F	67-16-R
Power Lock Plus									
(UNF 3/8" x 24) PART-NO.	68-15-S	68-15-F	68-15-R	68-16-S	68-16-F	68-16-R	68-16-S	68-16-F	68-16-R
(M10 x 1) eReam PART-NO.	69-15-S	69-15-F	69-15-R	69-16-S	69-16-F	69-16-R	69-16-S	69-16-F	69-16-R

ZK type:			13 mm bottle-shaped		15 mm bottle-shaped		13+15 mm Heavy Duty/tapered	
Gas nozzle PART-NO.	41-21-13-BS	41-21-13-BF	41-21-15-BS	41-21-15-BF	41-22-13-TF	41-22-15-TF		
Reamer Blade:								
Power Lock								
(UNF 3/8" x 24) PART-NO.	66-13-ZK-S	66-13-ZK-F	66-15-ZK-S	66-15-ZK-F	66-13-ZK-F	66-15-ZK-F		
(M10 x 1) eReam PART-NO.	67-13-S	67-13-F	67-15-ZK-S	67-15-ZK-F	67-13-F	67-15-ZK-F		
Power Lock Plus								
(UNF 3/8" x 24) PART-NO.	68-13-ZK-S	68-13-ZK-F	68-15-ZK-S	68-15-ZK-F	68-15-ZK-F	68-15-ZK-F		
(M10 x 1) eReam PART-NO.	69-13-S	69-13-F	69-15-ZK-S	69-15-ZK-F	69-15-F	69-15-ZK-F		

Dimensions in mm.

Further gas nozzles, reamer blades and torch necks can be found in our consumables brochure.

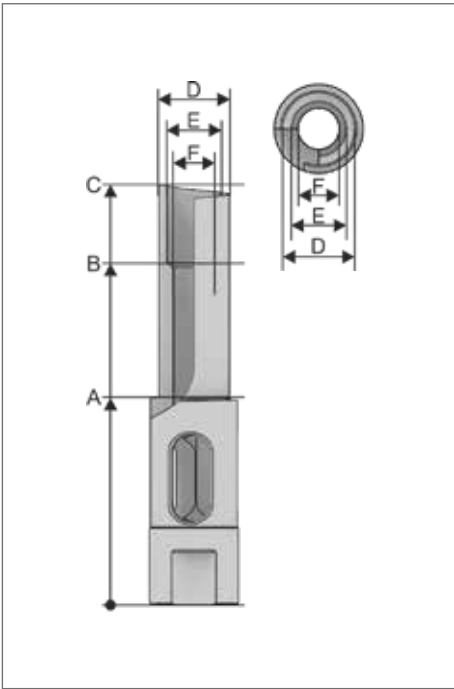
11 Gas nozzles: Overview dimensions



Dimensions in mm.

Further gas nozzles, reamer blades and torch necks can be found in our consumables brochure.

11a Gas nozzles: Reamer blades

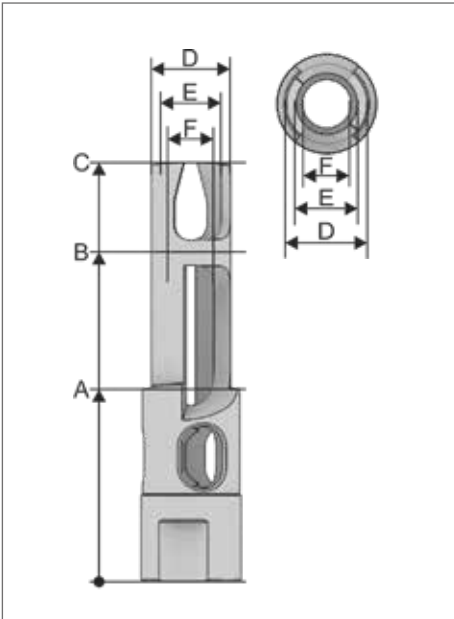


Standard torch neck – Power Lock

Reamer blade (internal thread UNF 3/8" x 24)

Reamer blade	short	flush	long
Inner diameter of the gas nozzle	PART-NO.	PART-NO.	PART-NO.
13 mm	66-13-S	66-13-F	66-13-R
15 mm	66-15-S	66-15-F	66-15-R
16 mm	66-16-S	66-16-F	66-16-R

Dimensions						
A	B	C	D	E	F	PART-NO.
44	-	67	12.5	9	-	66-13-S
44	-	70	12.5	9	-	66-13-F
44	-	73	12.5	9	-	66-13-R
45	68	85	14.5	11.8	9	66-15-S
45	71	88	14.5	11.8	9	66-15-F
45	74	91	14.5	11.8	9	66-15-R
45	68	85	15.5	11.8	9	66-16-S
45	71	88	15.5	11.8	9	66-16-F
45	74	91	15.5	11.8	9	66-16-R

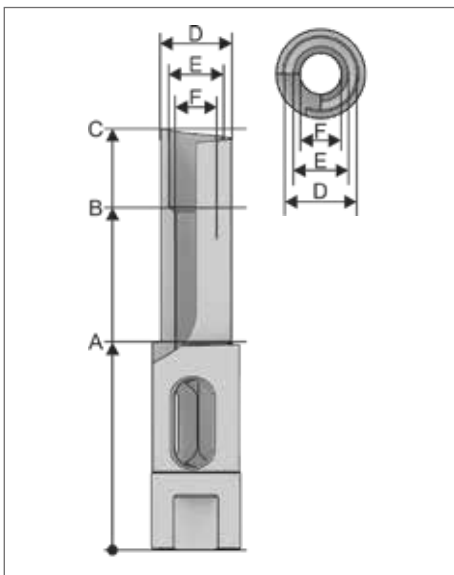


Standard torch neck – Power Lock Plus

Reamer blade (internal thread M10 x 1 – eReam)

Reamer blade	short	flush	long
Inner diameter of the gas nozzle	PART-NO.	PART-NO.	PART-NO.
13 mm	67-13-S	67-13-F	67-13-R
15 mm	67-15-S	67-15-F	67-15-R
16 mm	67-16-S	67-16-F	67-16-R

Dimensions						
A	B	C	D	E	F	PART-NO.
55	-	78	12.5	9	-	67-13-S
55	-	81	12.5	9	-	67-13-F
55	-	84	12.5	9	-	67-13-R
38	61	78	14.5	11.8	9	67-15-S
38	64	81	14.5	11.8	9	67-15-F
38	67	84	14.5	11.8	9	67-15-R
38	61	78	15.5	11.8	9	67-16-S
38	64	81	15.5	11.8	9	67-16-F
38	67	84	15.5	11.8	9	67-16-R



Standard torch neck – Power Lock Plus

Reamer blade (internal thread UNF 3/8" x 24)

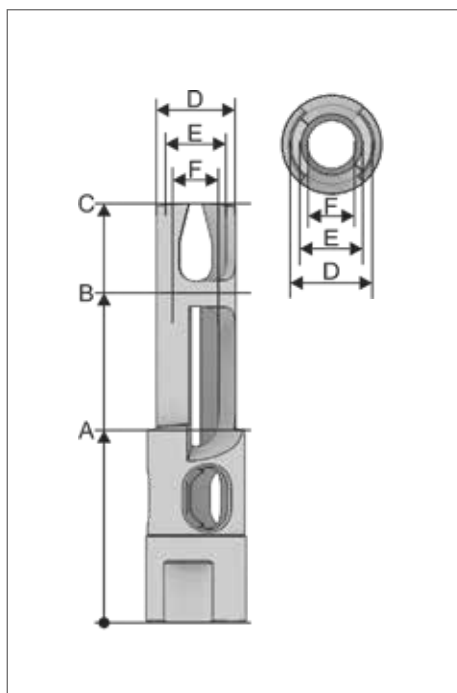
Reamer blade	short	flush	long
Inner diameter of the gas nozzle	PART-NO.	PART-NO.	PART-NO.
13 mm	68-13-S	68-13-F	68-13-R
15 mm	68-15-S	68-15-F	68-15-R
16 mm	68-16-S	68-16-F	68-16-R

Dimensions						
A	B	C	D	E	F	PART-NO.
55.5	-	67	12.5	9	-	68-13-S
52.5	-	67	12.5	9	-	68-13-F
49.5	-	67	12.5	9	-	68-13-R
51	63	91	14.5	11.8	9	68-15-S
48	63	91	14.5	11.8	9	68-15-F
45	63	91	14.5	11.8	9	68-15-R
51	63	91	15.5	11.8	9	68-16-S
48	63	91	15.5	11.8	9	68-16-F
45	63	91	15.5	11.8	9	68-16-R

Please note:

Dimensions in mm.

11a Gas nozzles: Reamer blades



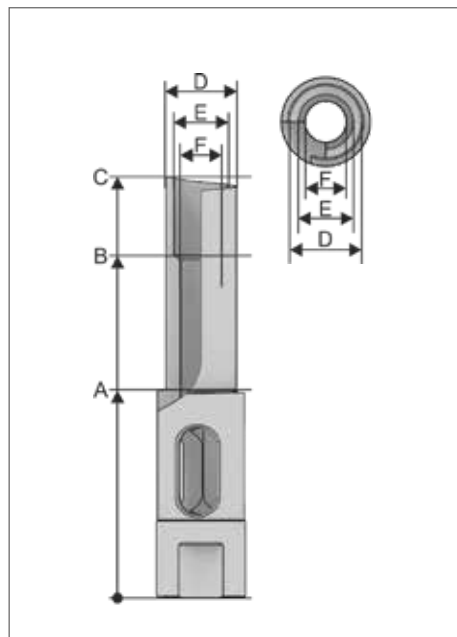
Standard torch neck – Power Lock Plus

Reamer blade (internal thread M10 x 1 – eReam)

Reamer blade	short	flush	long
Inner diameter of the gas nozzle	PART-NO.	PART-NO.	PART-NO.
13 mm	69-13-S	69-13-F	69-13-R
15 mm	69-15-S	69-15-F	69-15-R
16 mm	69-16-S	68-16-F	68-16-R

Dimensions

A	B	C	D	E	F	PART-NO.
66.5	-	78	12.5	9	-	69-13-S
66.5	-	81	12.5	9	-	69-13-F
66.5	-	84	12.5	9	-	69-13-R
38	50	78	14.5	11.8	9	69-15-S
38	53	81	14.5	11.8	9	69-15-F
38	56	84	14.5	11.8	9	69-15-R
38	50	78	15.5	11.8	9	69-16-S
38	53	81	15.5	11.8	9	69-16-F
38	56	84	15.5	11.8	9	69-16-R



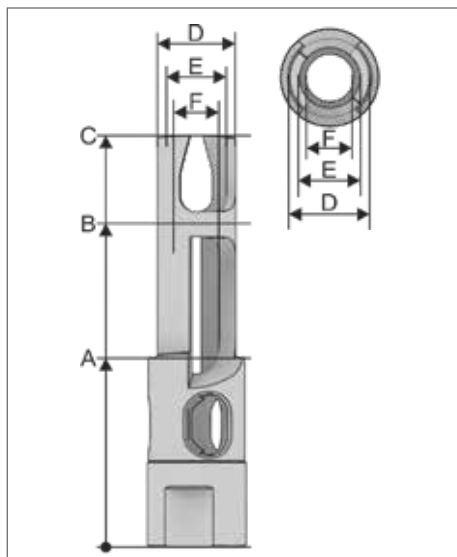
ZK-Series – Power Lock

Reamer blade (internal thread UNF 3/8" x 24)

Reamer blade	short	flush	long
Inner diameter of the gas nozzle	PART-NO.	PART-NO.	PART-NO.
13 mm	66-13-ZK-S	66-13-ZK-F	-
15 mm	66-15-ZK-S	66-15-ZK-F	-

Dimensions

A	B	C	D	E	F	PART-NO.
54	-	77	12.5	9	-	66-13-ZK-S
51	-	77	12.5	9	-	66-13-ZK-F
45	68	77	14.5	11.8	9	66-15-ZK-S
42	68	77	14.5	11.8	9	66-15-ZK-F



Reamer blade (internal thread M10 x 1 – eReam)

Reamer blade	short	flush	long
Inner diameter of the gas nozzle	PART-NO.	PART-NO.	PART-NO.
13 mm	67-13-S	67-13-F	-
15 mm	67-15-ZK-S	67-15-ZK-F	-

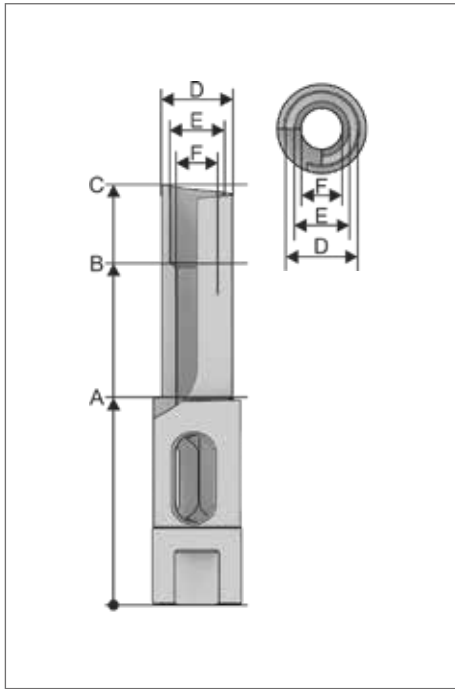
Dimensions

A	B	C	D	E	F	PART-NO.
55	-	78	12.5	9	-	67-13-S
55	-	81	12.5	9	-	67-13-F
46	69	78	14.5	11.8	9	67-15-ZK-S
46	72	81	14.5	11.8	9	67-15-ZK-F

Please note:

Dimensions in mm.

11a Gas nozzles: Reamer blades



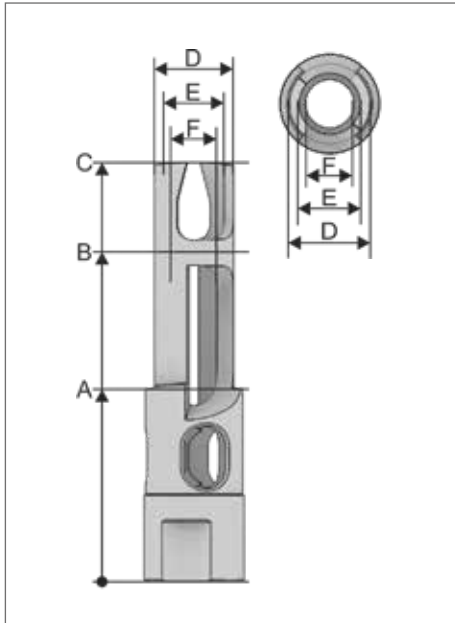
ZK-Series – Power Lock Plus

Reamer blade (internal thread UNF 3/8" x 24)

Reamer blade	short	flush	long
Inner diameter of the gas nozzle	PART-NO.	PART-NO.	PART-NO.
13 mm	68-13-ZK-S	68-13-ZK-F	-
15 mm	68-15-ZK-S	68-15-ZK-F	-

Dimensions

A	B	C	D	E	F	PART-NO.
65.5	-	77	12.5	9	-	68-13-ZK-S
62.5	-	77	12.5	9	-	68-13-ZK-F
45	58	77	14.5	11.8	9	68-15-ZK-S
42	58	77	14.5	11.8	9	68-15-ZK-F

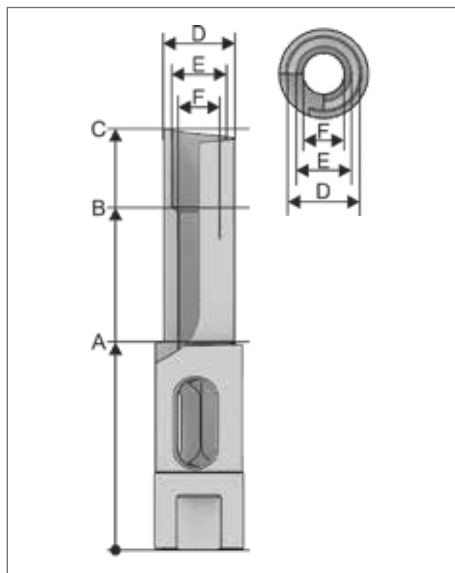


Reamer blade (internal thread M10 x 1 – eReam)

Reamer blade	short	flush	long
Inner diameter of the gas nozzle	PART-NO.	PART-NO.	PART-NO.
13 mm	69-13-S	69-13-F	-
15 mm	69-15-ZK-S	69-15-ZK-F	-

Dimensions

A	B	C	D	E	F	PART-NO.
66.5	-	78	12.5	9	-	69-13-S
66.5	-	81	12.5	9	-	69-13-F
46	59	78	14.5	11.8	9	69-15-ZK-S
46	62	81	14.5	11.8	9	69-15-ZK-F



HQX-Series – Power Lock Plus

Reamer blade (internal thread UNF 3/8" x 24)

Reamer blade	short	flush	long
Inner diameter of the gas nozzle	PART-NO.	PART-NO.	PART-NO.
16 mm	68-16-HD-S	68-16-HD-F	68-16-HD-R

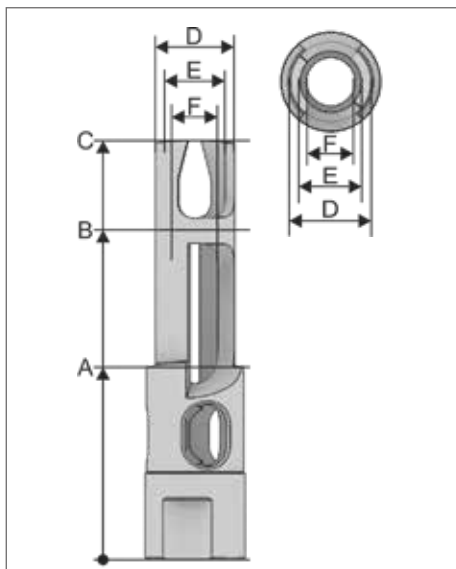
Dimensions

A	B	C	D	E	F	PART-NO.
49.5	62	85	15.5	12.8	9	68-16-HD-S
46.5	62	85	15.5	12.8	9	68-16-HD-F
43.5	62	85	15.5	12.8	9	68-16-HD-R

Please note:

Dimensions in mm.

11a Gas nozzles: Reamer blades



Please note:

Dimensions in mm.

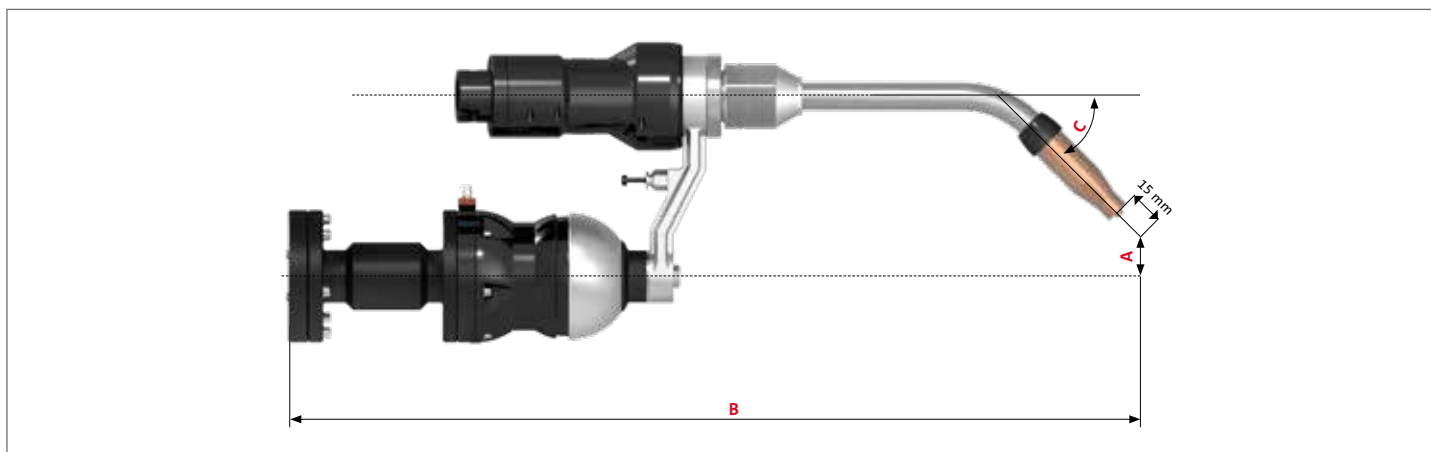
HQX-Series – Power Lock Plus

Reamer blade (internal thread M10 x 1 – eReam)

Reamer blade	short	flush	long
Inner diameter of the gas nozzle	PART-NO.	PART-NO.	PART-NO.
16 mm	69-16-HD-S	69-16-HD-F	69-16-HD-R

Dimensions						PART-NO.
A	B	C	D	E	F	
38	50.5	73.5	15.5	12.8	9	69-16-HD-S
38	53.5	76.5	15.5	12.8	9	69-16-HD-F
38	56.5	79.5	15.5	12.8	9	69-16-HD-R

12 Torches: TCP dimensions



Overview of air cooled torch necks

Standard dressing	HQX	A	B	C
PART-NO.	PART-NO.	(distance in mm)	(TCP length in mm)	(angle in °)
58-1-00-400-1	on request	120	561.5	0
58-1-22-350-1	58-1-622-350-1	75	511.5	22
58-1-22-400-1	58-1-622-400-1	75	561.5	22
58-4-330-500-1	on request	0	600.0	30
58-1-130-450-1	on request	120	611.5	30
58-1-35-400-1	58-1-635-400-1	50	561.5	35
58-1-45-350-1	58-1-645-350-1	30	511.5	45
58-1-45-400-1	58-1-645-400-1	30	561.5	45
58-1-45-450-1	on request	30	611.5	45
58-4-345-450-1	58-4-6345-450-1	0	550.0	45
58-4-345-567-1	58-4-6345-567-1	0	667.0	45

Overview torch necks ZK type

Standard dressing	HQX	A	B	C
PART-NO.	PART-NO.	(distance in mm)	(TCP length in mm)	(angle in °)
58-1-245-400-1	on request	58	561.5	45

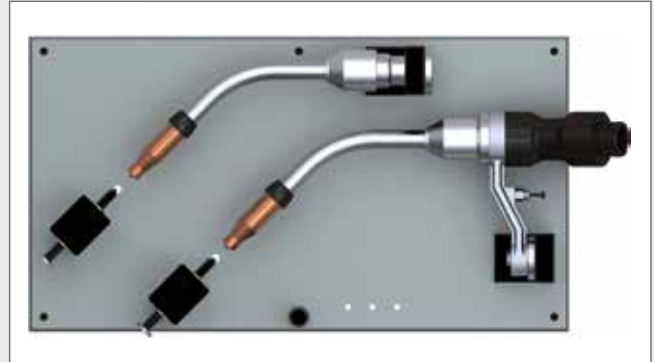
Please note:

Dimensions in mm.

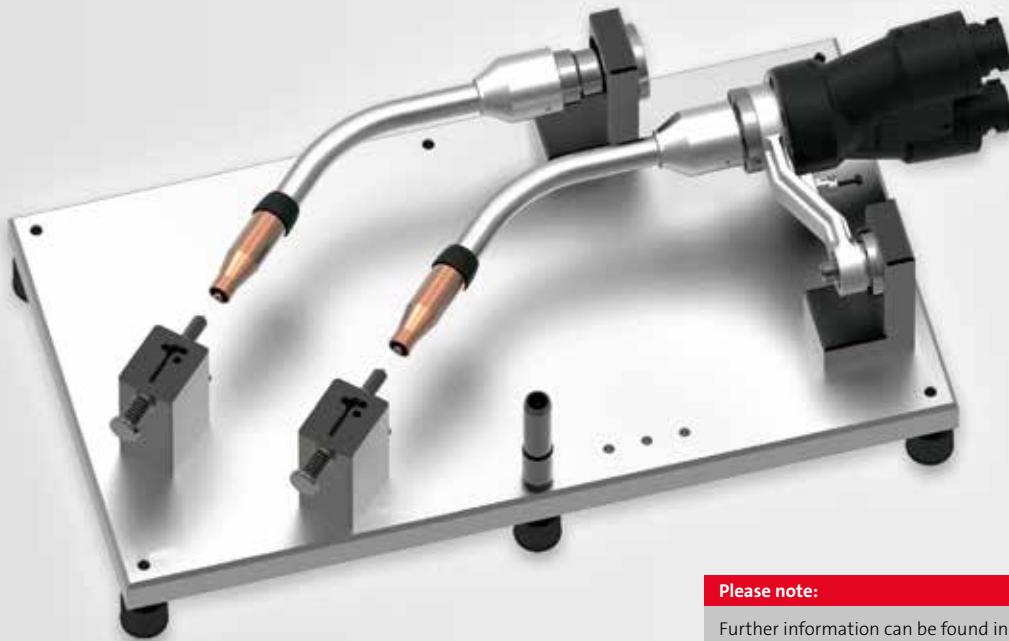
12a Torches: Checking fixtures

To check TCP of torch necks and complete torch.

Checking fixtures are provided for all listed torch necks with Wire Select 2.0 torch system. Please contact us for detailed information.



Top view checking fixture



Please note:

Further information can be found in our brochure "Checking fixtures" (DOC-0137EN).

eReam

For a precise cleaning
of the torch frontend



Pure
Electric.

For further information
please visit
www.eReam.de

Please note:

Further information can be found in our eReam brochure (DOC-0184EN).



www.sks-welding.com

SKS Welding Systems GmbH | Marie-Curie-Strasse 14 | 67661 Kaiserslautern | Germany
info@de.sks-welding.com | www.sks-welding.com